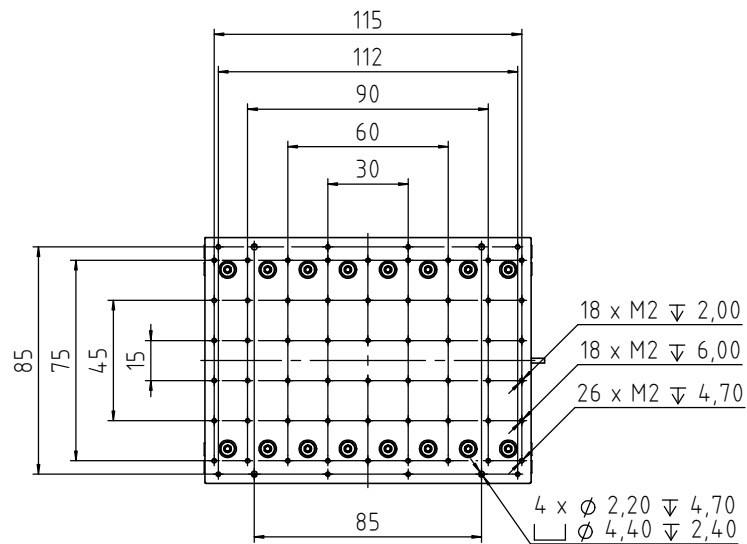
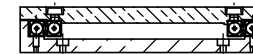


A-A



Shown in reference position.  
For information purposes only.  
All linear dimensions are given in millimeters.



mounting dimensions  
MLS-92122

Drawing No: EX-0034028-000

Weight: 640g

Title:

Projection Method:  
First Angle Projection



SCALE:  
1:2

CAD-System:  
SolidWorks

A3

SHEET  
1 OF 1