
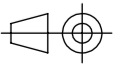
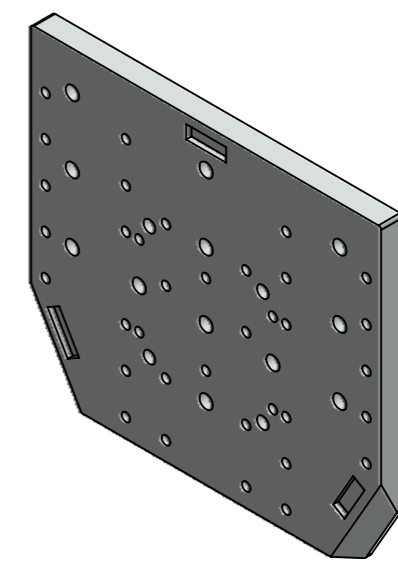
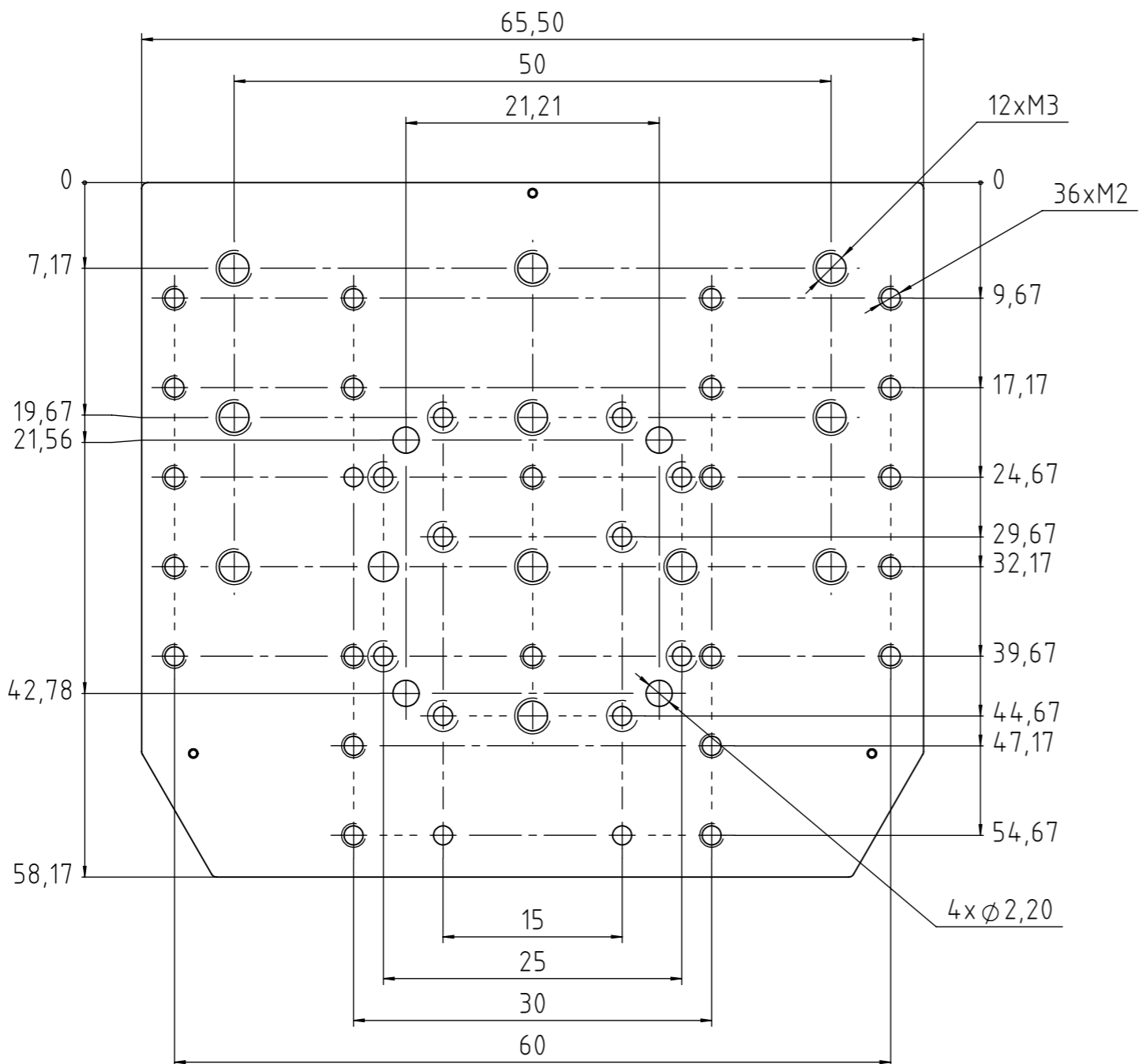



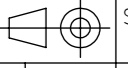
Shown in reference position.  
For information purposes only.  
All linear dimensions are given in millimeters.

	Drawing No.: EX-0078327-000		
	Weight: 2880 g		
	Projection Method: First Angle Projection		SCALE: 1:2
	CAD-System: SolidWorks	A2	SHEET 1 OF 2

Title:  
mounting dimensions  
SmarPod P-CLL



Shown in reference position.  
For information purposes only.  
All linear dimensions are given in millimeters.

	Drawing No.: EX-0078327-000	
	Weight: -	
Title: mounting dimensions Topplate SmarPod P-CLL	Projection Method: First Angle Projection 	SCALE: 2:1
	CAD-System: SolidWorks	A3