
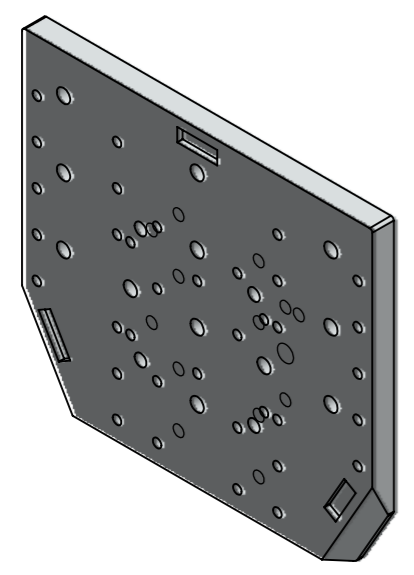
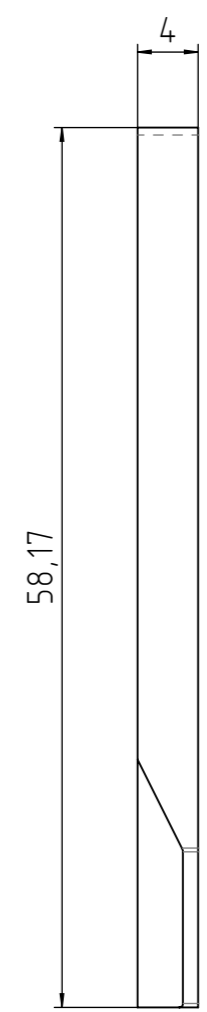
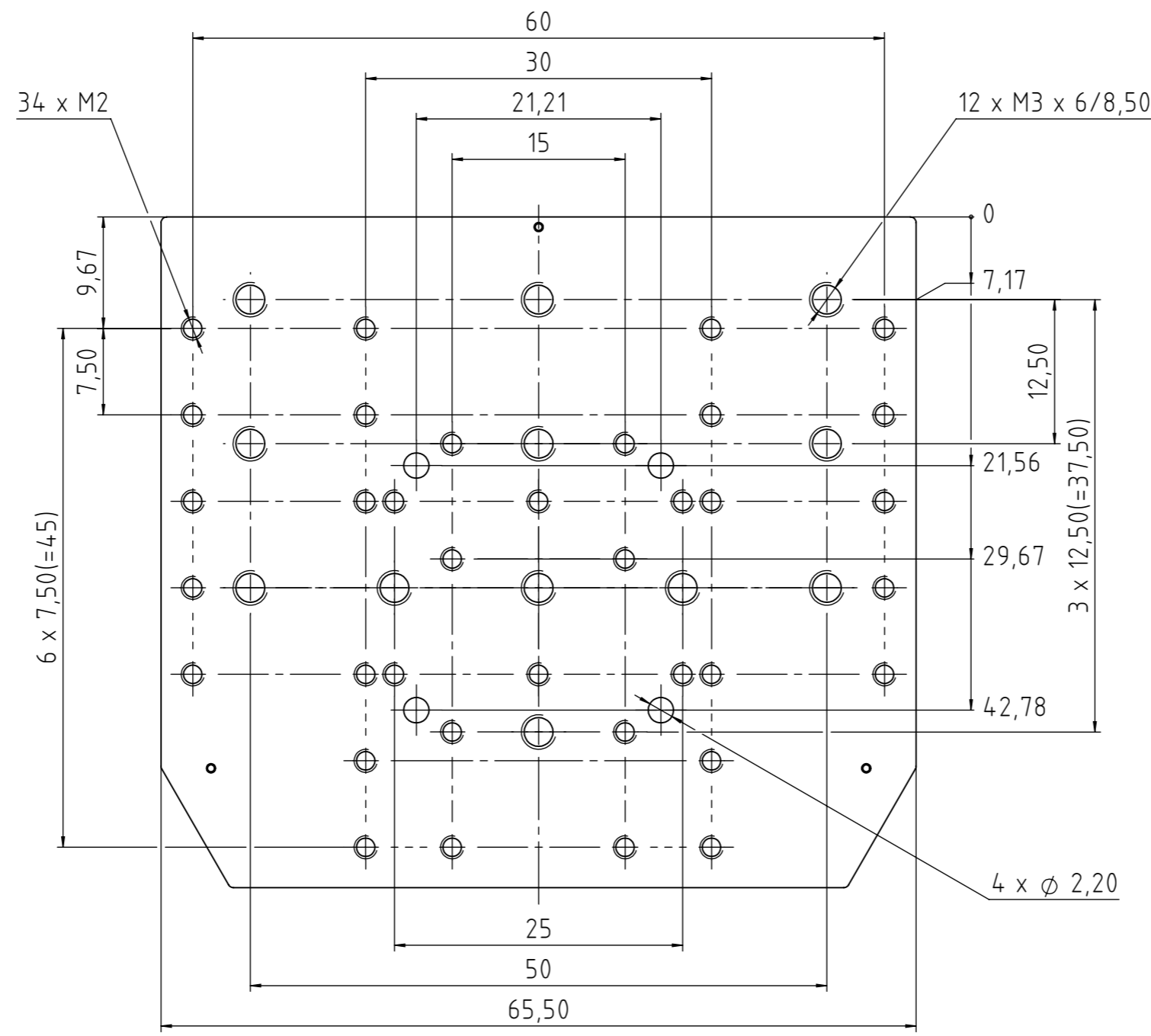

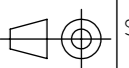


Shown in reference position.  
For information purposes only.  
All linear dimensions are given in millimeters.

Title:			Drawing No.: EX-0087448-002	
	mounting dimensions		Weight: 1890g	
	SmarPod P-SLC-24		Projection Method: First Angle Projection 	
			CAD-System: SolidWorks	A3



Shown in reference position.  
For information purposes only.  
All linear dimensions are given in millimeters.

	Drawing No.: EX-0087448-002	
	Weight: -	
Title: mounting dimensions Endeffektorplatte SmarPod P-SLC-24	Projection Method: First Angle Projection 	SCALE: 2:1
	CAD-System: SolidWorks	A3 SHEET 2 OF 2