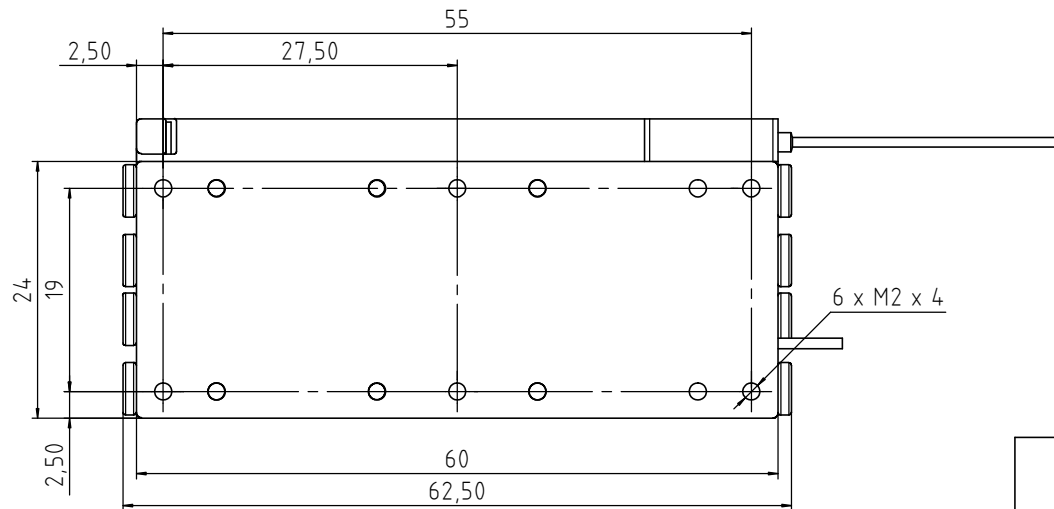
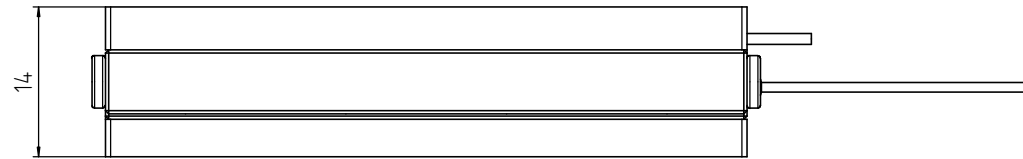



1:1



Shown in reference position.
For information purposes only.
All linear dimensions are given in millimeters.

	Drawing No. EX-0074145-000	
	Weight: -	
Title: mounting dimensions SLC-2460-F	Projection Method: First Angle Projection	SCALE: 2:1
	CAD-System: SolidWorks	A3 SHEET 1 OF 4