

1 2 3 4 5 6 7 8

A

B

C

D

E

F

A

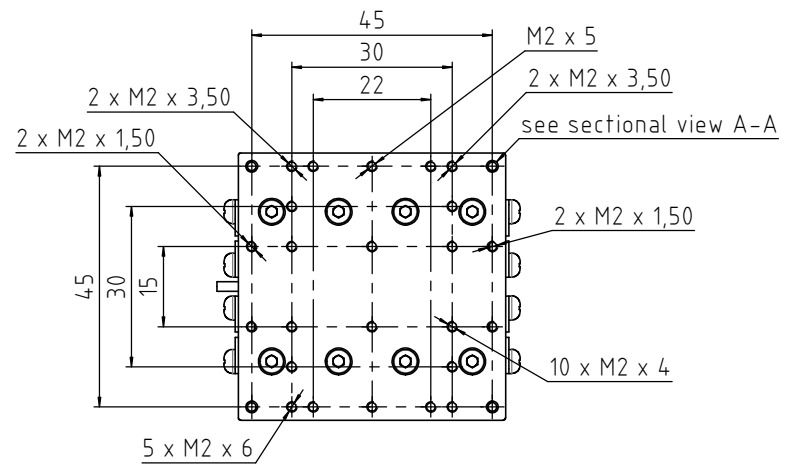
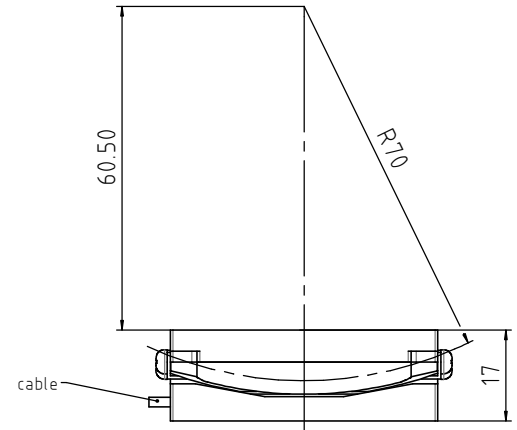
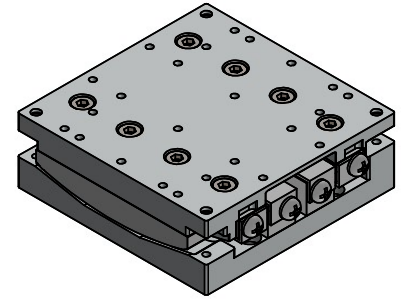
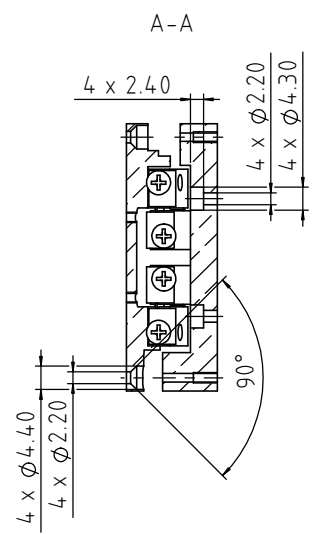
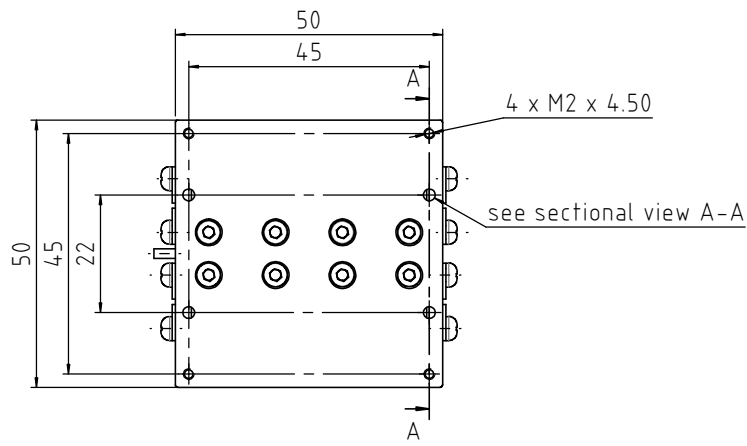
B

C

D

E

F



Shown in reference position.
For information purposes only.
All linear dimensions are given in millimeters.

 Title: mounting dimensions CGO-5060.5	Drawing No. EX-0063845-000	
	Weight: 145 g	
	Projection Method: First Angle Projection	SCALE: 1:1
	CAD-System: SolidWorks	A3 SHEET 1 OF 5

1 2 3 4 5 6 7 8