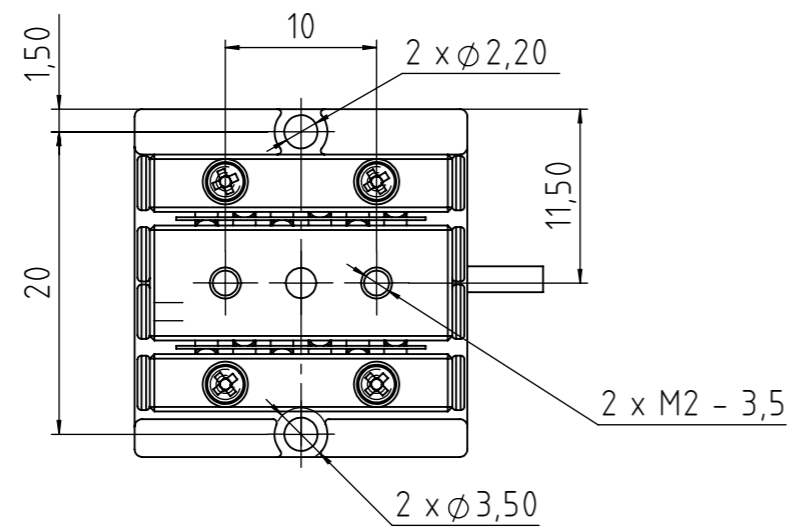
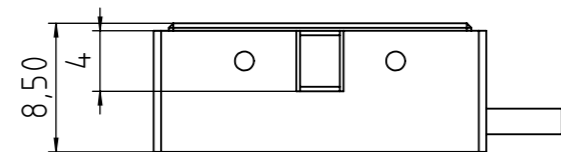
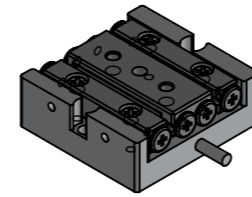


(1:1)



Shown in reference position.  
For information purposes only.  
All linear dimensions are given in millimeters.



mounting dimensions  
SLC-1720-W-S

Drawing No.: EX-0009951-000

Weight: 15g

Projection Method:  
First Angle Projection



SCALE:  
2:1

CAD-System:  
SolidWorks

A3

SHEET  
1 OF 4