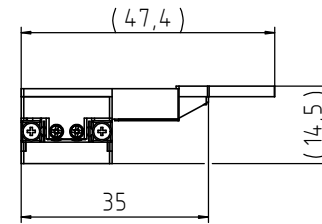
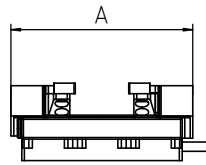
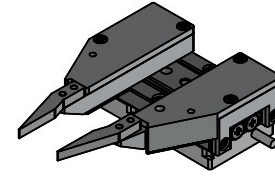
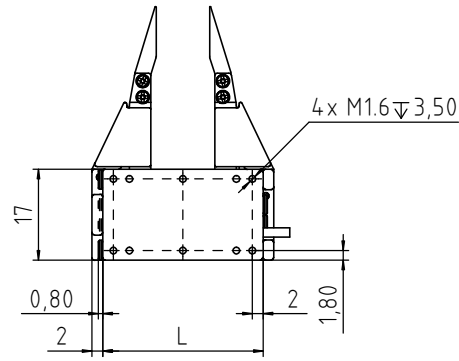
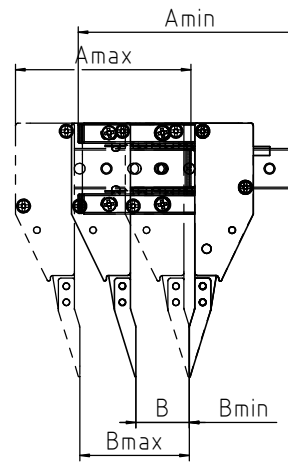
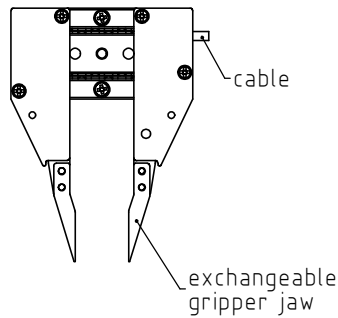


	L	Amin	A	Amax	Bmin	B	Bmax
SLC1720	22	24	24	30	0	0	6
SLC1730	30	41.6	34	32.8	0	10	20.5
SLC1740	40	54.6	44	57	7	20	33



outer dimensions vary depending on dimension of attached gripper jaw



Shown in reference position.
For information purposes only.
All linear dimensions are given in millimeters.



mounting dimensions
product series SGP-17F

Drawing No: EX-0014216-000

Weight:

Title:

Projection Method:
First Angle Projection



SCALE:
1:1

CAD-System:
SolidWorks

A3

SHEET
1 OF 1