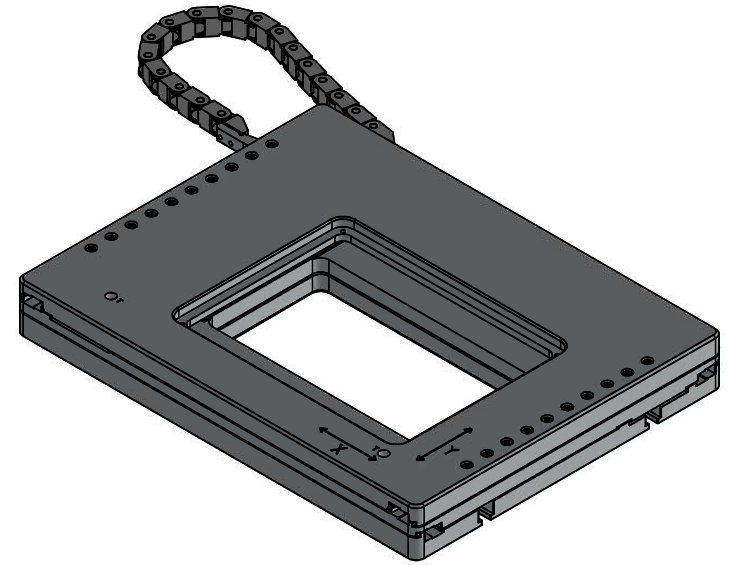
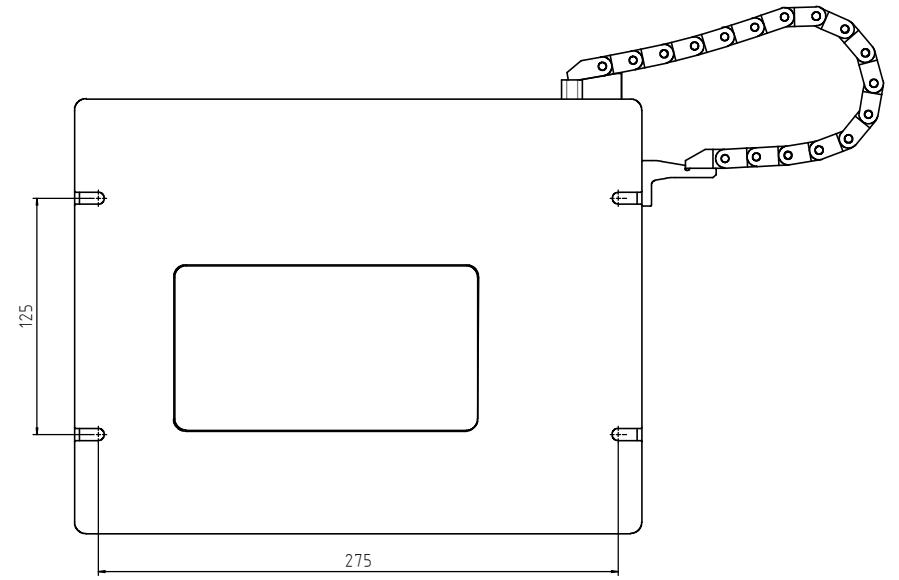
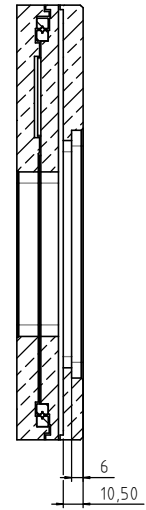


A-A



Shown in reference position.  
For information purposes only.  
All linear dimensions are given in millimeters.

	Drawing No:	EX24031254-A00
	Weight:	4700 g
Title:	mounting dimensions SOM-MS-180150M	Projection Method: First Angle Projection CAD-System: SolidWorks SCALE: 1:2 SHEET 1 OF 1