

1 2 3 4 5 6 7 8

A

A

B

B

C

C

D

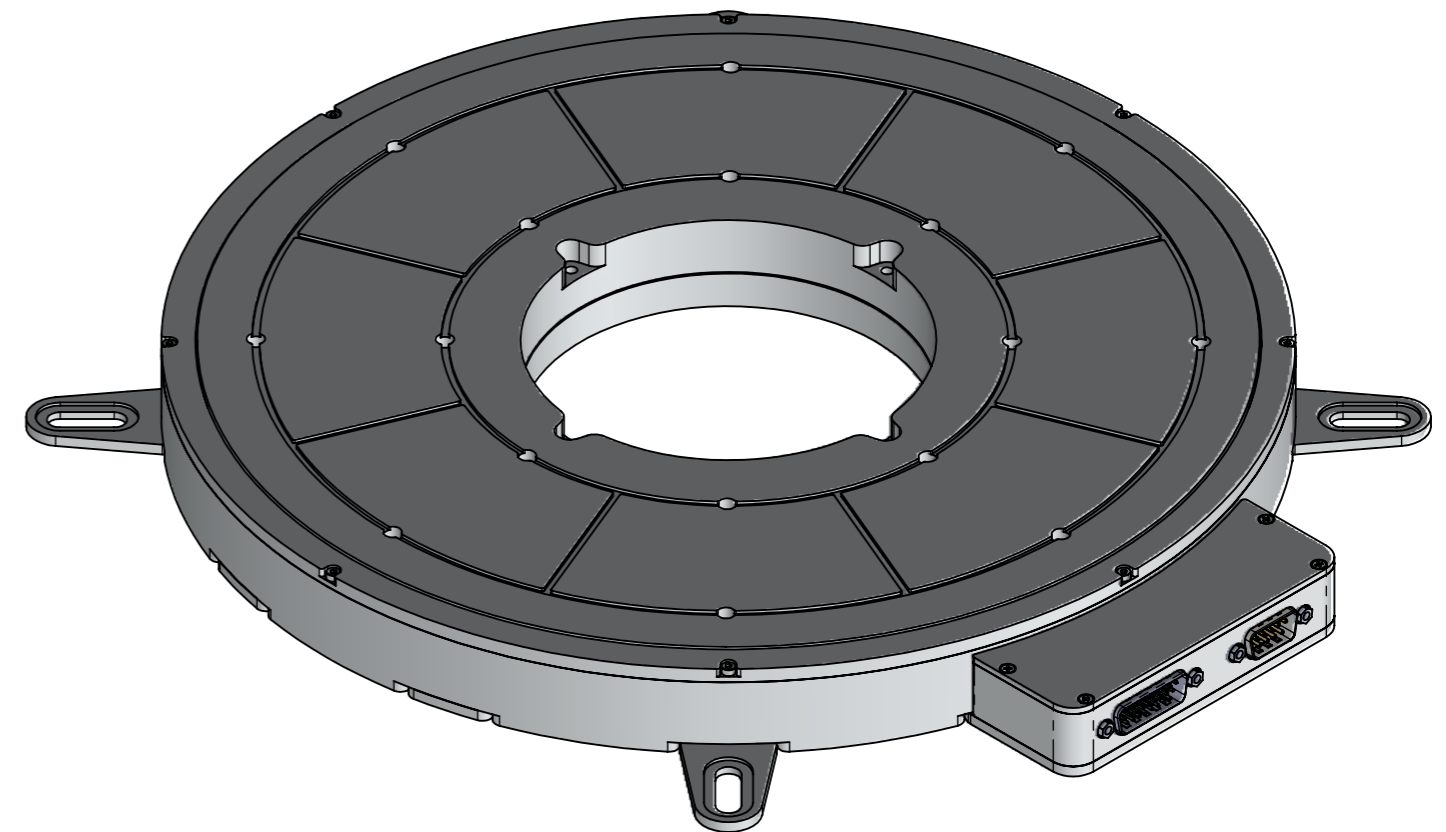
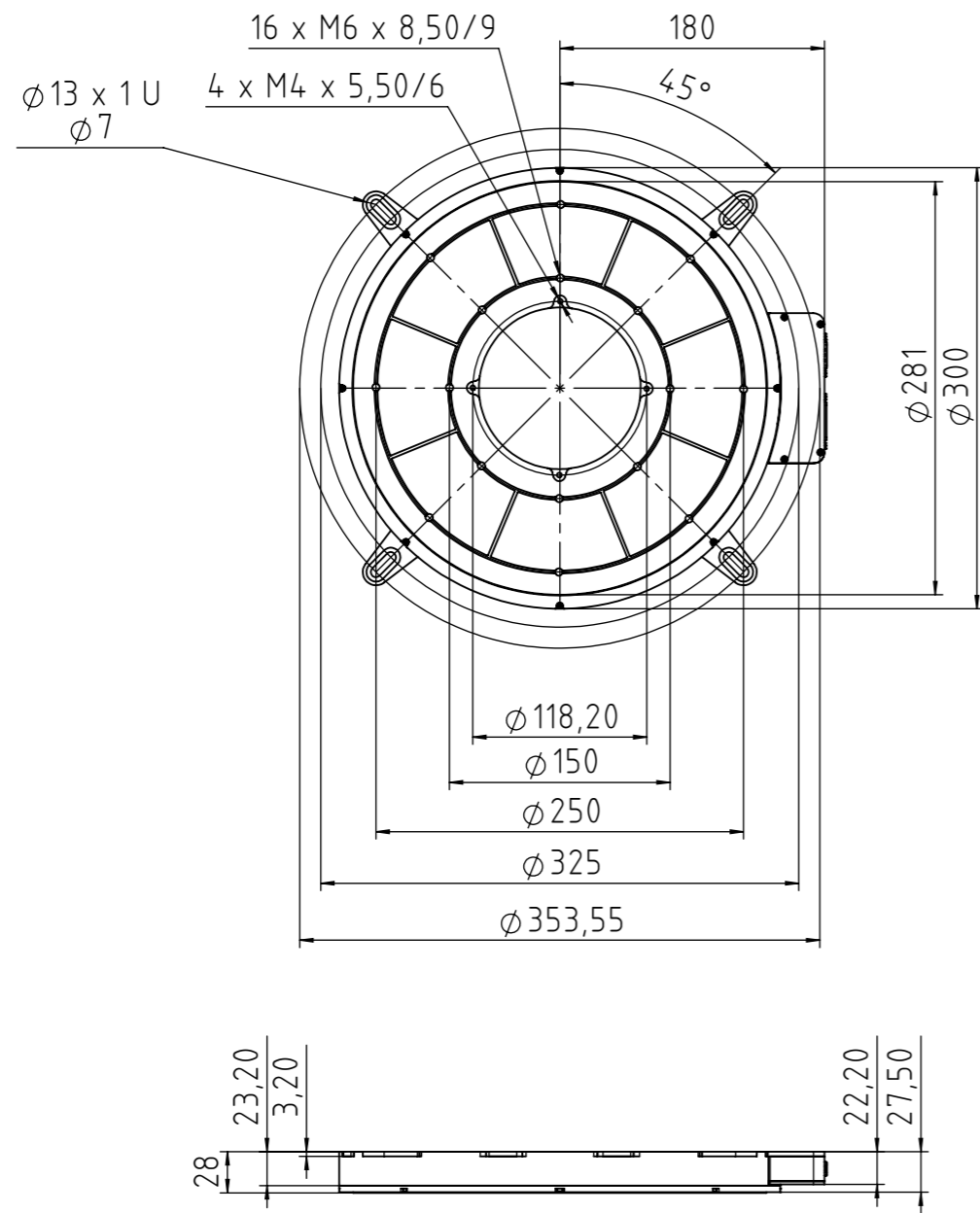
D

E

E

F

F



Shown in reference position.
For information purposes only.
All linear dimensions are given in millimeters.



Title: mounting dimensions MR-30028	Drawing No.: EX23040747-A00	
	Weight: 5000g	
	Projection Method: First Angle Projection	SCALE: 1:5
CAD-System: SolidWorks	A3	SHEET 1 OF 1

1 2 3 4