
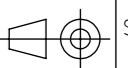
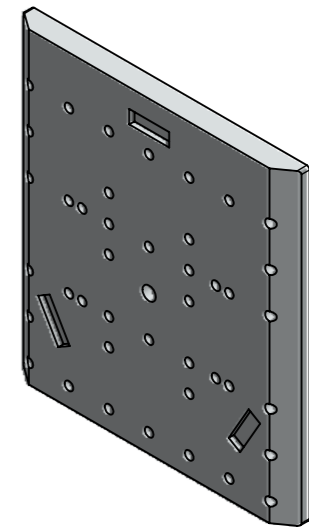
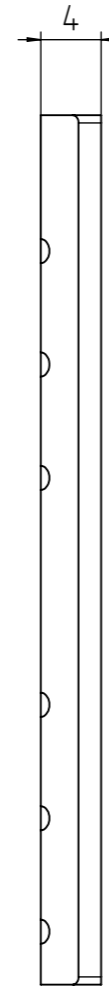
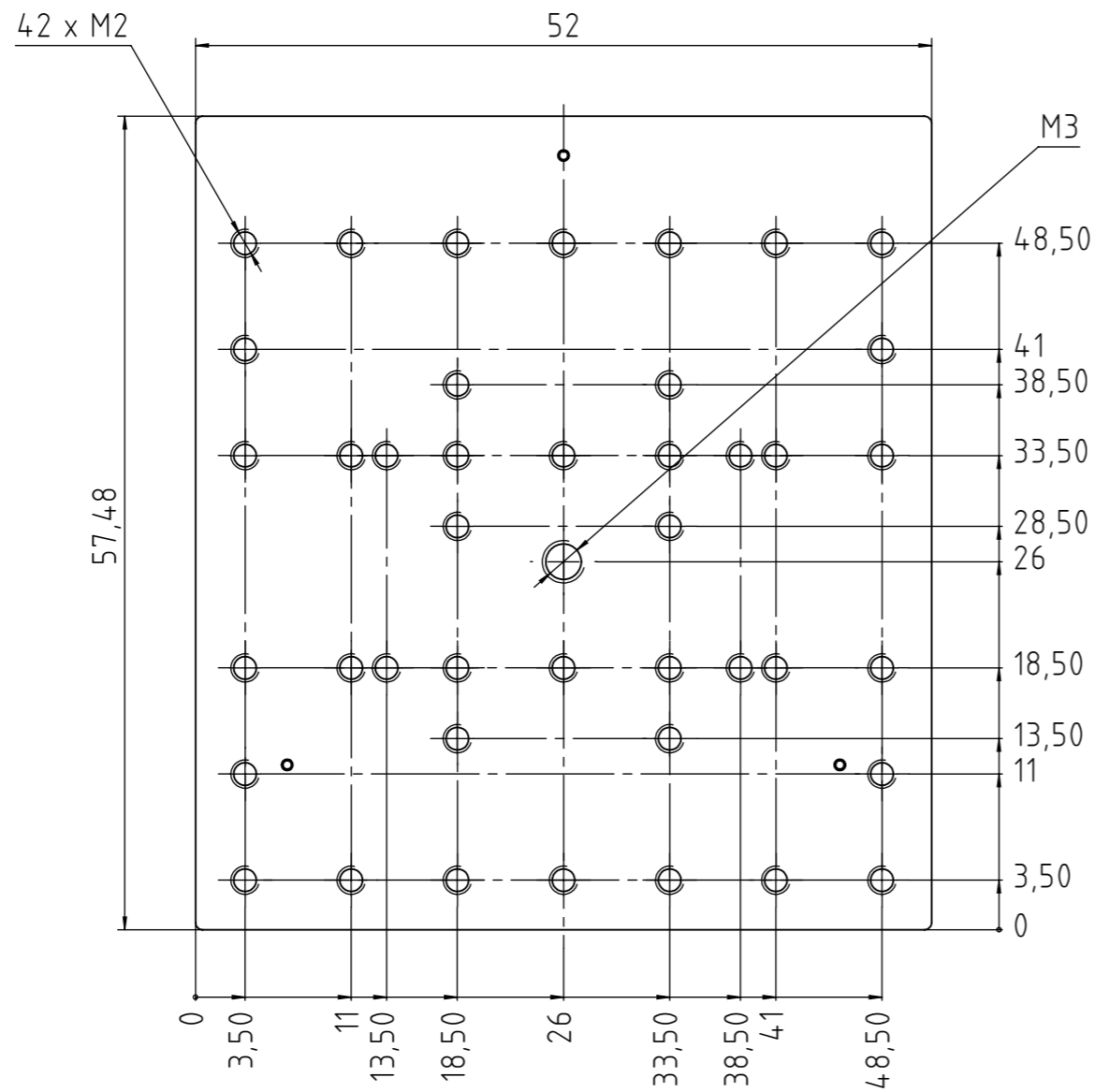


Shown in reference position.
For information purposes only.
All linear dimensions are given in millimeters.

	Drawing No.: EX-0082968-003	
	Weight: 680 g	
	Projection Method: First Angle Projection 	SCALE: 1:1
	CAD-System: SolidWorks	A3 SHEET 1 OF 2
Title: mounting dimensions SmarPod P-SLC-17		



Shown in reference position.
For information purposes only.
All linear dimensions are given in millimeters.



Title:

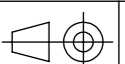
mounting dimensions

Endeffektorplatte SmarPod P-SLC-17

Drawing No.: EX-0082968-003

Weight: -

Projection Method:
First Angle Projection



SCALE:
2:1

CAD-System:
SolidWorks

A3

SHEET
2 OF 2