

Shown in reference position.  
For information purposes only.  
All linear dimensions are given in millimeters.



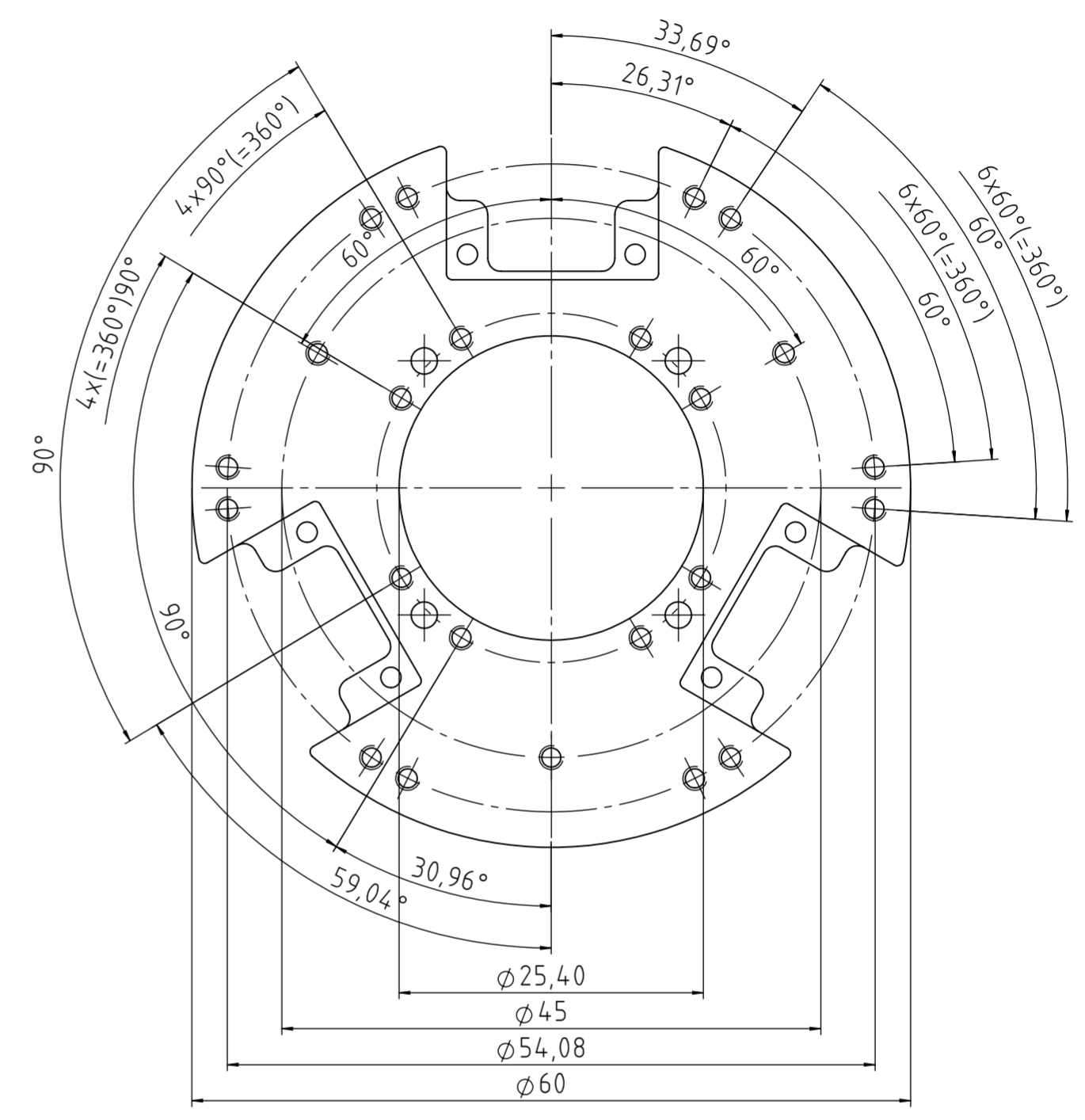
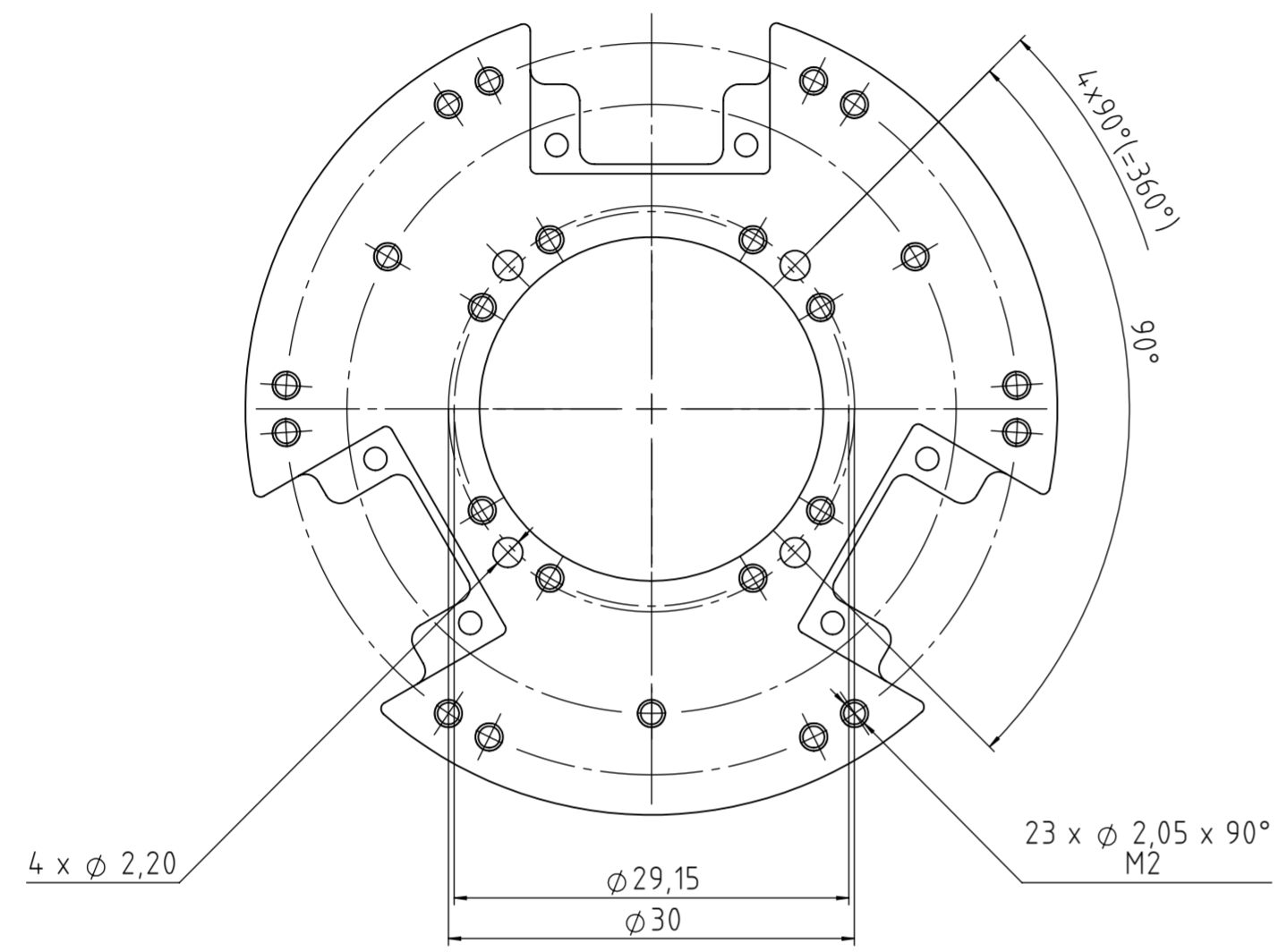
Title: mounting dimensions  
SmarPod CLS-32

Drawing No.: EX-0074062-000

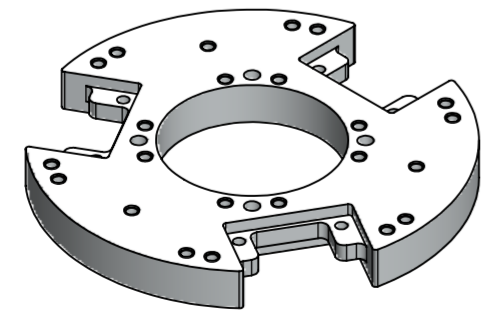
Weight: 520 g

Projection Method: First Angle Projection  SCALE: 1:1

CAD-System: SolidWorks A3 SHEET 1 OF 2



1:1



Shown in reference position.  
For information purposes only.  
All linear dimensions are given in millimeters.

	Drawing No.: EX-0074062-000
	Weight: -
Title: mounting dimensions Topplate SmarPod CLS-32	Projection Method: First Angle Projection
	CAD-System: SolidWorks
A2	SCALE: 2:1 SHEET 2 OF 2