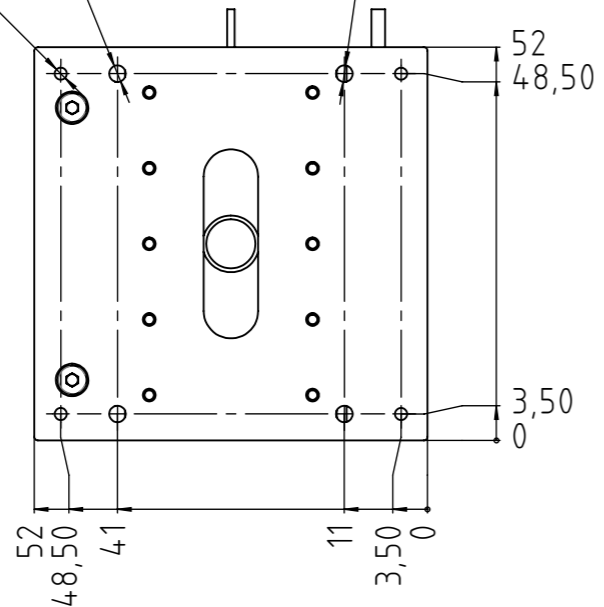


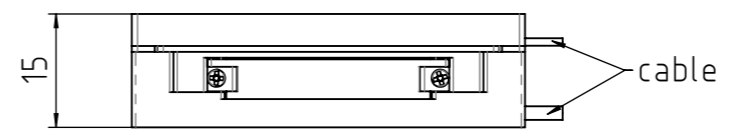
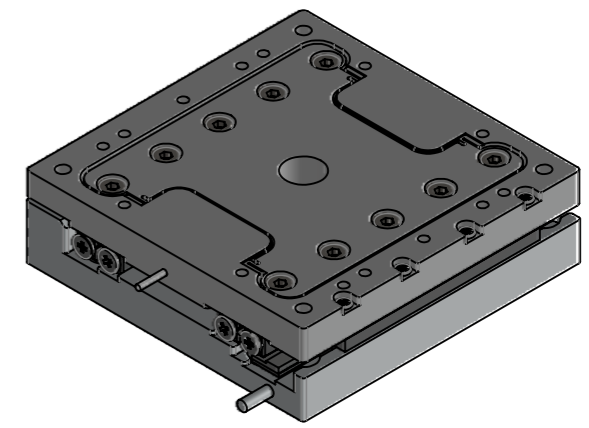
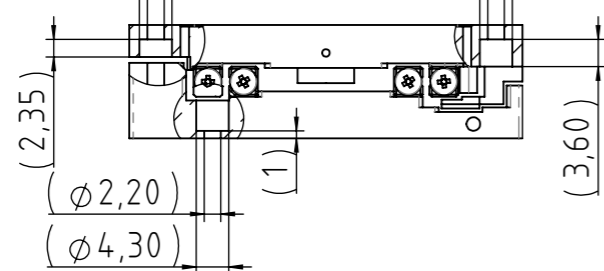
2 x ϕ 4,30 x 4U
 ϕ 2,20 x 5

2 x ϕ 4,30 x 3,10U
 ϕ 2,20 x 4,10

4 x M2



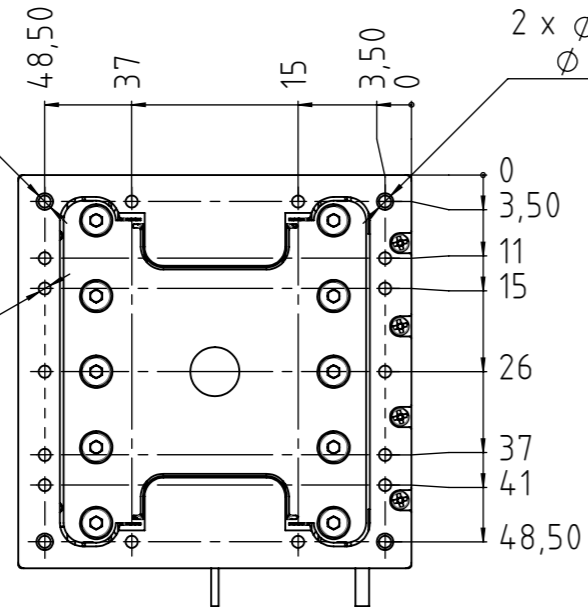
(ϕ 4,30)
(ϕ 2,20)



2 x ϕ 4,30 x 2,35U
 ϕ 2,20 x 4,25

2 x ϕ 4,30 x 3,60U
 ϕ 2,20 x 5,50

14 x M2



Shown in reference position.
For information purposes only.
All linear dimensions are given in millimeters.



Title: DLS5252	Drawing No.: EX-0070970-000	
	Weight: 130g	
	Projection Method: First Angle Projection	SCALE: 1:1
	CAD-System: SolidWorks	A3 SHEET 1 OF 1