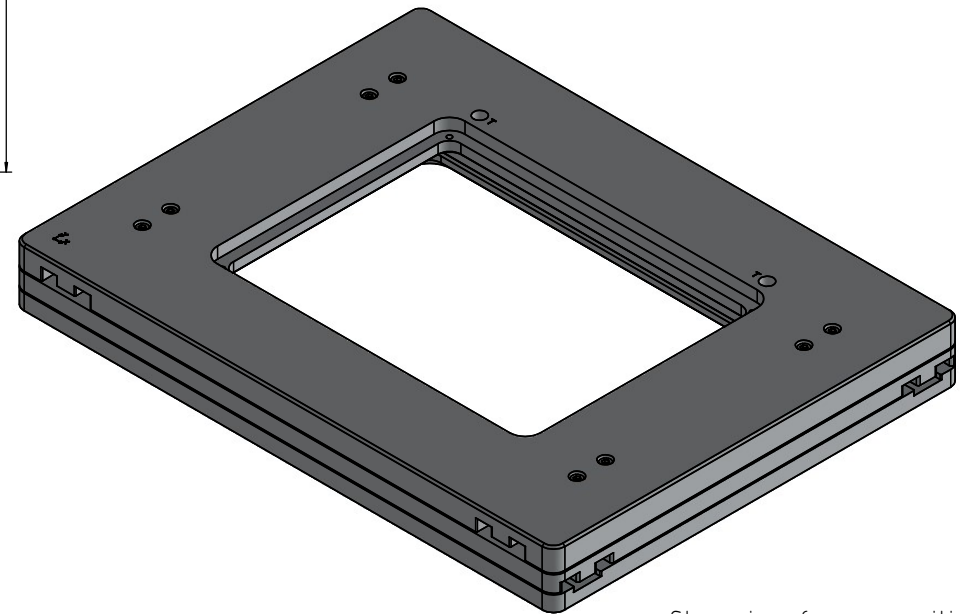
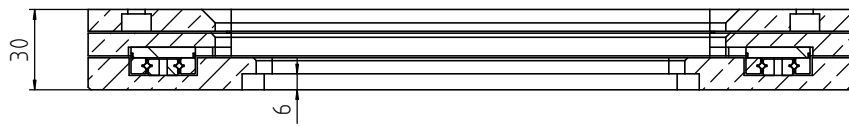


A-A



Shown in reference position.  
For information purposes only.  
All linear dimensions are given in millimeters.



mounting dimensions  
SOM-MS-180150

Drawing No: EX22120553-A00

Weight: 2380g

Projection Method:  
First Angle Projection



SCALE:  
1:2

CAD-System:  
SolidWorks

A3

SHEET  
1 OF 1