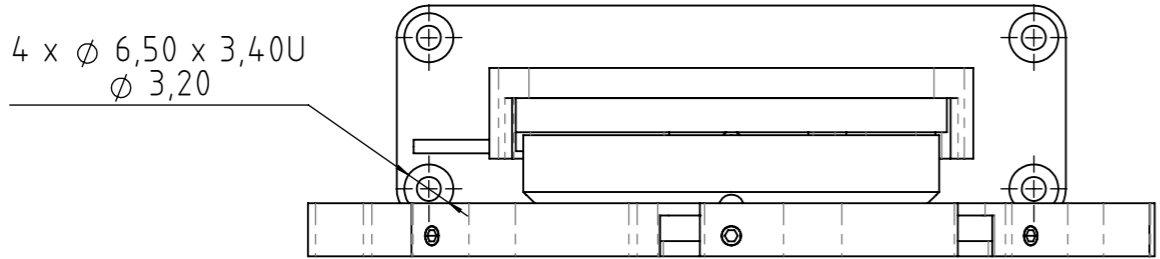
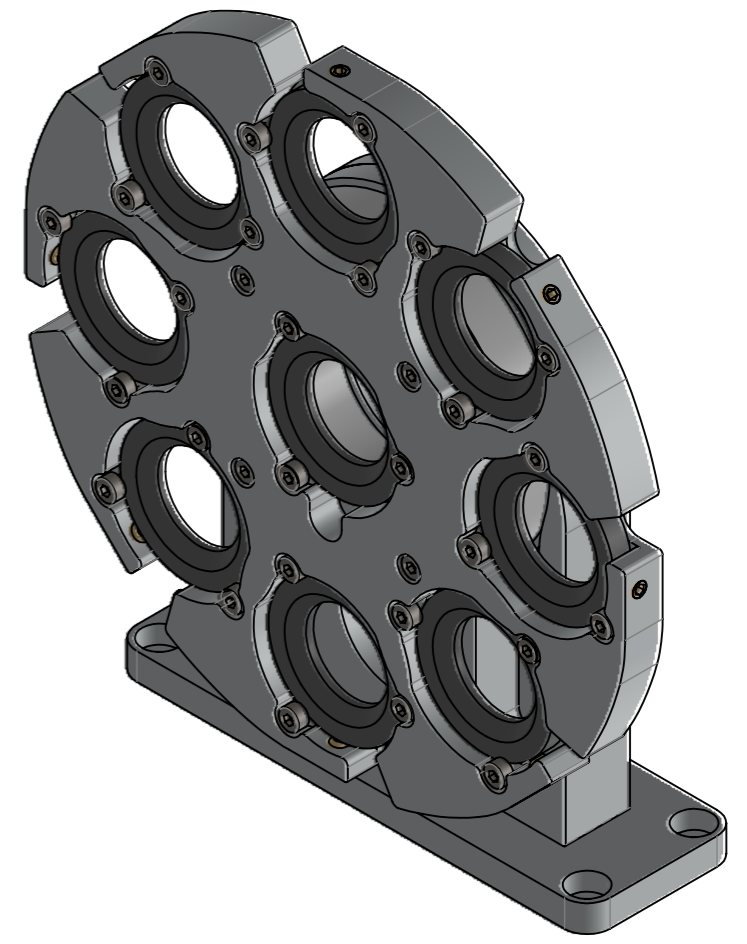
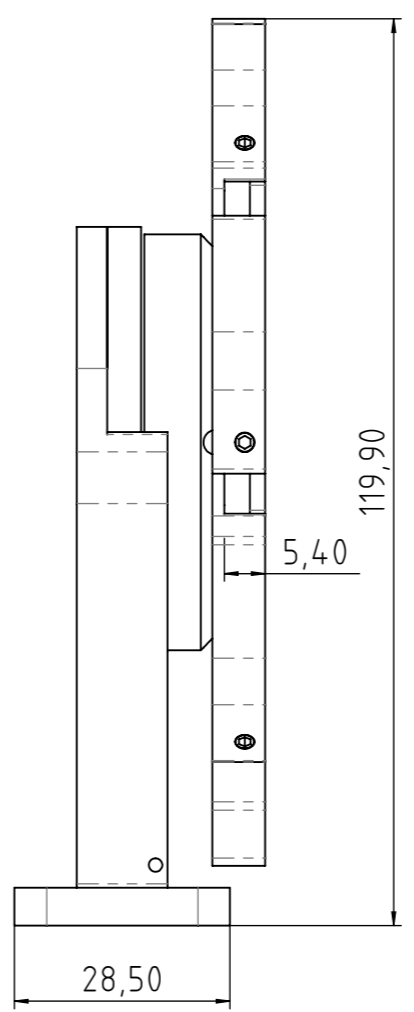
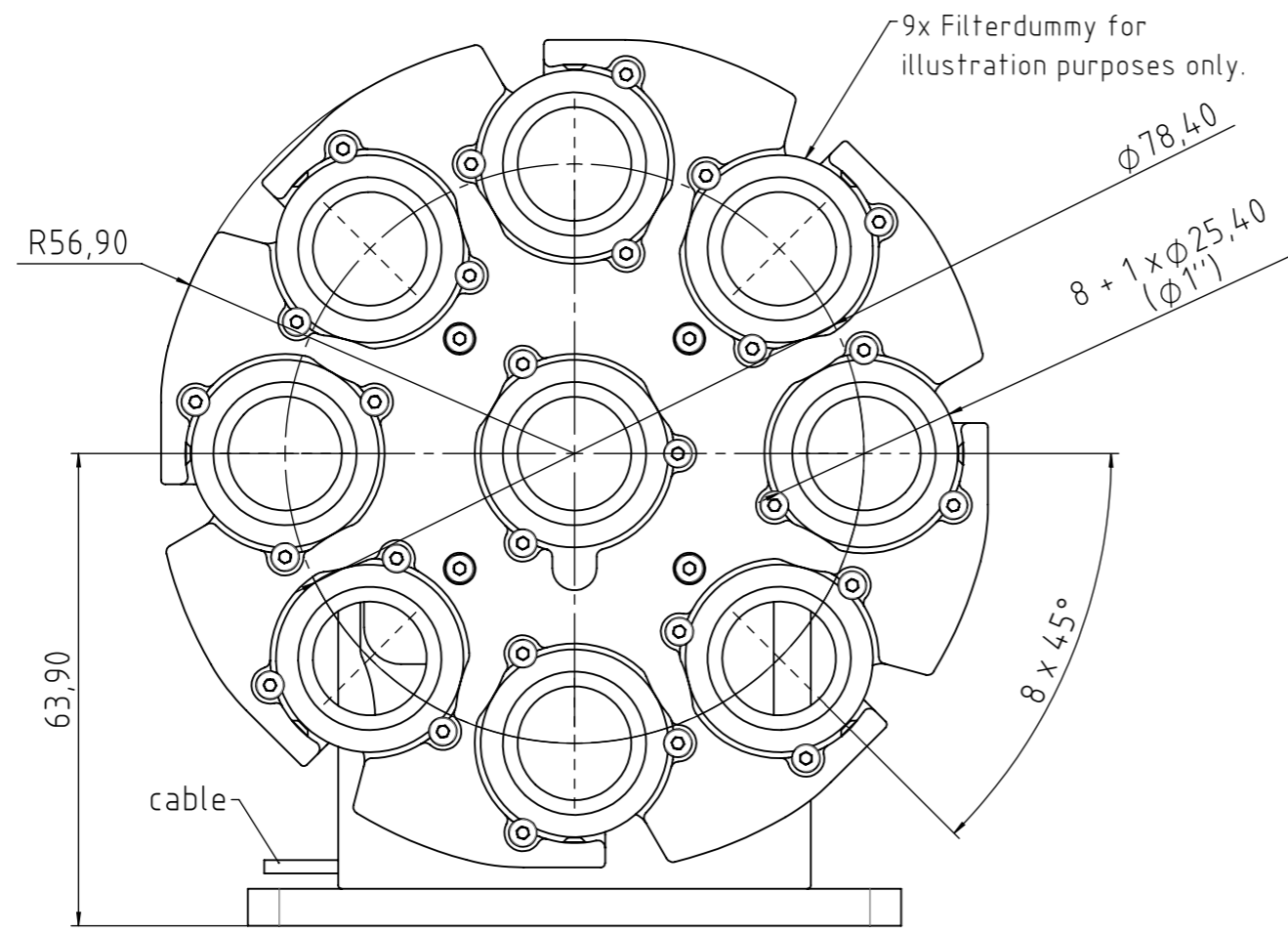
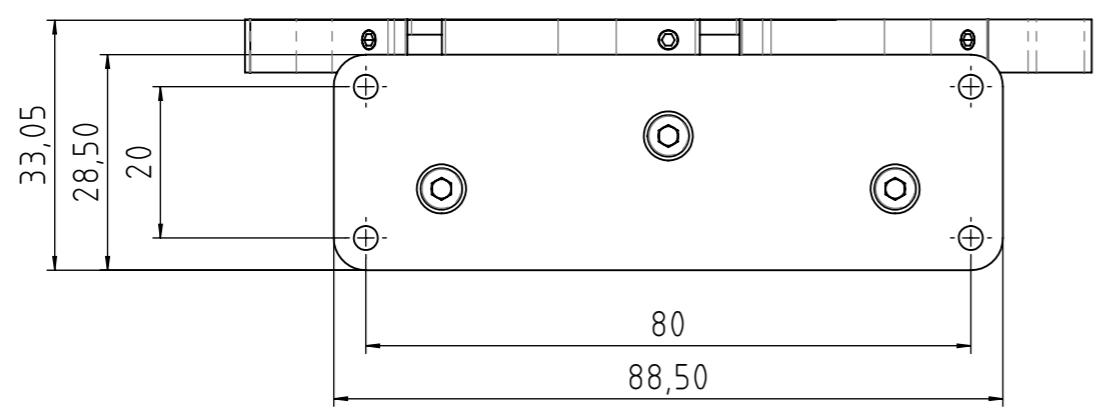


1 2 3 4 5 6 7 8

A  
B  
C  
D  
E  
F



Shown in reference position.  
For information purposes only.  
All linear dimensions are given in millimeters.



mounting dimensions

Drawing No.:	EX23060829-A00
Weight:	approx. 320g
Projection Method:	First Angle Projection
CAD-System:	SolidWorks
SCALE:	1:1
SHEET	1 OF 1

1 2 3 4